

1

108 mm Radial Monobloc Caliper Kit P4 34 Code 220A39710

Spare Parts • Ricambi

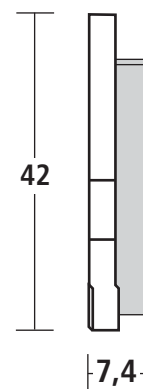
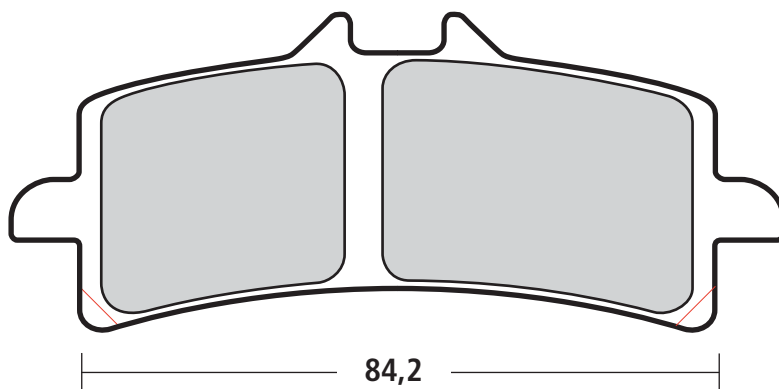
Spring / Molletta
120225579

Bleeding screw / Vite spurgo
105338752



Technical Characteristics • Caratteristiche Tecniche

Pistons / Pistoni Ø	34 mm.
Construction Material / Materiale	Casting Aluminium / Alluminio fuso
Finishing / Finissaggio	Brilliant Anodic Oxidation / Anod. Brillante
Weight (with pads) / Massa (con pastiglie)	1000 gr.
Brake Fluid / Fluido freni	DOT 4
Hardware / Viteria	Steel / Acciaio
Pistons / Pistoni	Aluminium / Alluminio
Center to center / Interasse	108 mm.
Offset / Offset	22,5 mm.



Pads • Pastiglie

Code	Performance	Life
107988210	•	•
Genuine		
07BB3050	•	•
Genuine		

Pads • Pastiglie

Code	Performance	Life
07BB30RC	+	•
RC Compound		
M497Z04	++	+
Z04 Compound		

100 mm Radial Monobloc Caliper Kit P4 34 Code 220988530

Spare Parts • Ricambi

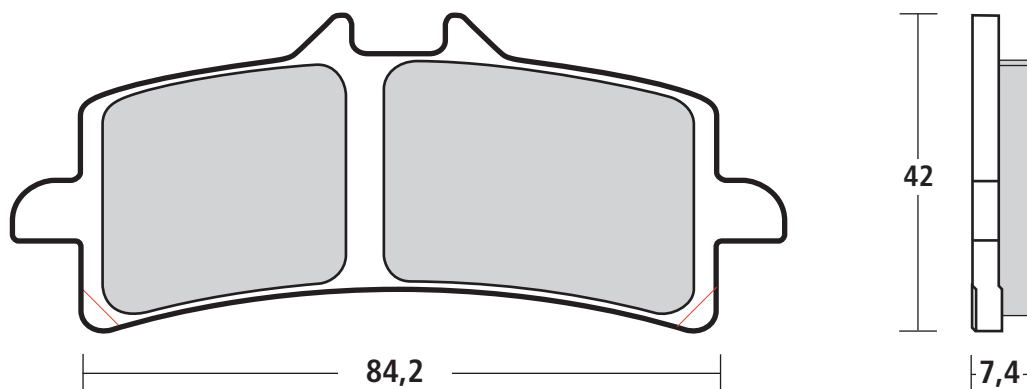
Spring / Molletta
120225579

Bleeding screw / Vite spurgo
105338752



Technical Characteristics • Caratteristiche Tecniche

Pistons / Pistoni Ø	34 mm.
Construction Material / Materiale	Casting Aluminium / Alluminio fuso
Finishing / Finissaggio	Brilliant Anodic Oxidation / Anod. Brillante
Weight (with pads) / Massa (con pastiglie)	1015 gr.
Brake Fluid / Fluido freni	DOT 4
Hardware / Viteria	Steel / Acciaio
Pistons / Pistoni	Aluminium / Alluminio
Center to center / Interasse	100 mm.
Offset / Offset	30 mm.



Pads • Pastiglie

Code	Performance	Life
107988210	•	•
Genuine		
07BB3050	•	•
Genuine		

Pads • Pastiglie

Code	Performance	Life
07BB30RC	+	•
RC Compound		
M497Z04	++	•
Z04 Compound		

1

108 mm Radial CNC Caliper Kit P4 30/34

Code 220A01610 (hard anodized)

Code 220A80210 (nickel coating)



Spare Parts • Ricambi

Spindle / Perno

120394230

Spring / Molletta

120225590

Bleeding screw / Vite spurgo

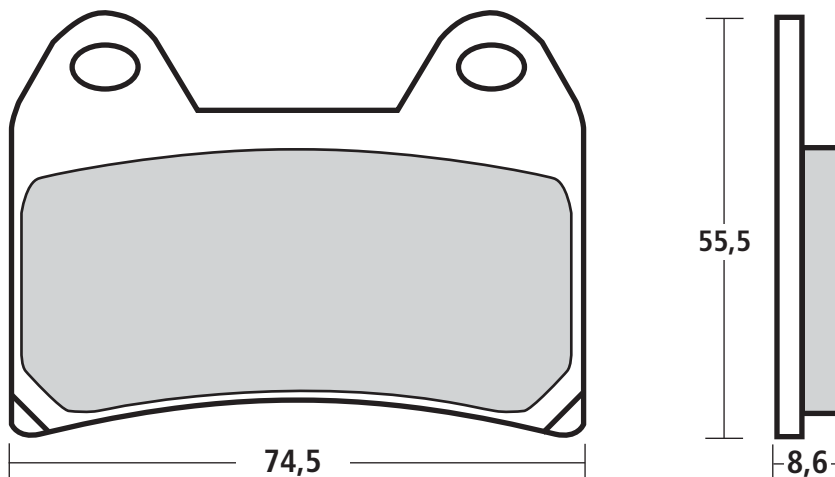
105281228

Pin / Copiglia

105454218

Technical Characteristics • Caratteristiche Tecniche

Pistons / Pistoni Ø	30 / 34 mm.
Construction Material / Materiale	CNC Aluminium / Alluminio CNC
Finishing / Finissaggio	Hard anod. - Nick. coat. / Anod. dura - Nichelata
Weight (with pads) / Massa (con pastiglie)	1030 gr.
Brake Fluid / Fluido freni	DOT 4
Hardware / Viteria	Steel / Acciaio
Pistons / Pistoni	Aluminium / Alluminio
Center to center / Interasse	108 mm.
Offset / Offset	22,5 mm.



Pads • Pastiglie

Code	Performance	Life
107670821	•	•
Genuine		
07BB1950	•	•
Genuine		

Pads • Pastiglie

Code	Performance	Life
07BB19RC	+	•
RC Compound		
107670823	++	•
Z04 Compound		

100 mm Radial CNC Caliper Kit P4 30/34

Code 220A16810 (hard anodized)

Code 220A80310 (nickel coating)



Spare Parts • Ricambi

Spindle / Perno
120394230

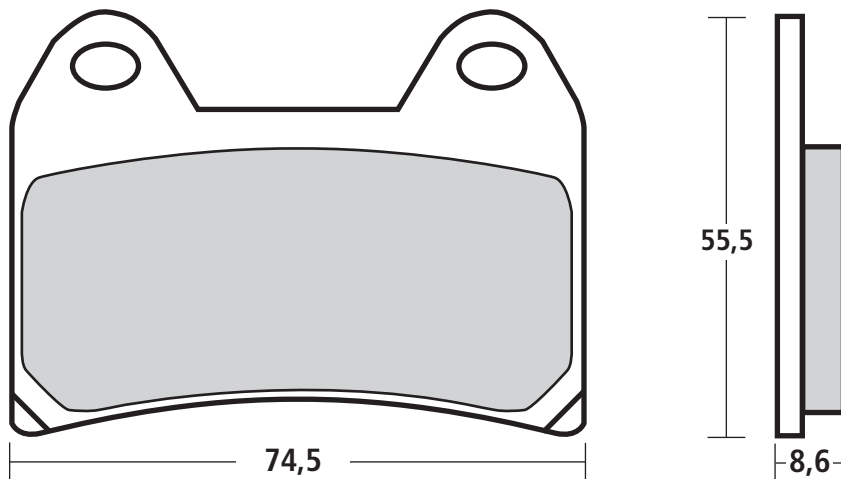
Spring / Molletta
120225590

Bleeding screw / Vite spurgo
05281228

Pin / Copiglia
105454218

Technical Characteristics • Caratteristiche Tecniche

Pistons / Pistoni Ø	30 / 34 mm.
Construction Material / Materiale	CNC Aluminium / Alluminio CNC
Finishing / Finissaggio	Hard anod. - Nick. coat. / Anod. dura - Nichelata
Weight (with pads) / Massa (con pastiglie)	1030 gr.
Brake Fluid / Fluido freni	DOT 4
Hardware / Viteria	Steel / Acciaio
Pistons / Pistoni	Aluminium / Alluminio
Center to center / Interasse	100 mm.
Offset / Offset	30 mm.



Pads • Pastiglie

Code	Performance	Life
107670821	•	•
Genuine		
07BB1950	•	•
Genuine		

Pads • Pastiglie

Code	Performance	Life
07BB19RC	+	•
RC Compound		
107670823	++	•
Z04 Compound		

1

**Yamaha R1 '07/'10
Radial CNC Caliper Kit
P4 30/34
Code 220A16820**

Spare Parts • Ricambi

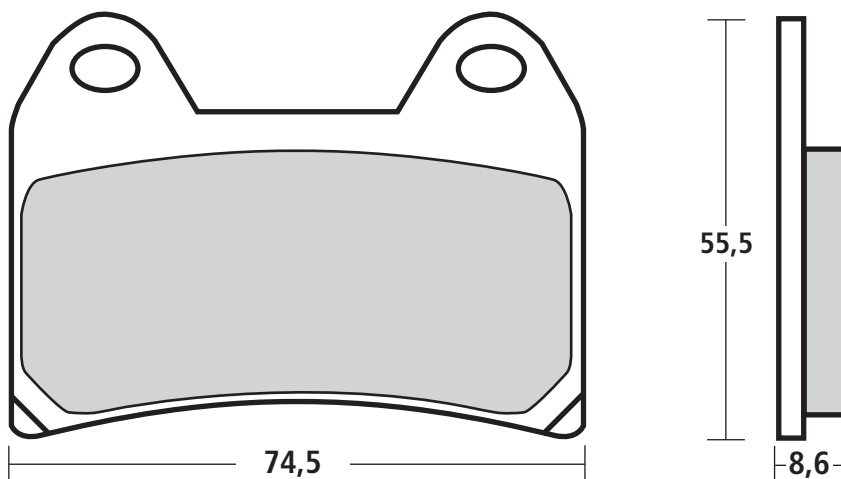
Spindle / Perno	120394230
Spring / Molletta	120225590
Bleeding screw / Vite spurgo	05281228
Pin / Copiglia	105454218



Caliper supplied with disassembled adaptor

Technical Characteristics • Caratteristiche Tecniche

Pistons / Pistoni Ø	30 / 34 mm.
Construction Material / Materiale	CNC Aluminium / Alluminio CNC
Finishing / Finissaggio	Hard anodizing / Anodizzazione dura
Weight (with pads) / Massa (con pastiglie)	1250 gr.
Brake Fluid / Fluido freni	DOT 4
Hardware / Viteria	Steel / Acciaio
Pistons / Pistoni	Aluminium / Alluminio
Center to center / Interasse	As original / Come originale
Offset / Offset	As original / Come originale



Pads • Pastiglie

Code	Performance	Life
107670821	•	•
Genuine		
07BB1950	•	•
Genuine		

Pads • Pastiglie

Code	Performance	Life
07BB19RC	+	•
RC Compound		
107670823	++	•
Z04 Compound		

Radial CNC Caliper P4 32/36 Code XA3B860/61

1



Spare Parts • Ricambi

Spindle / Perno

20696450

Pin / Copiglia

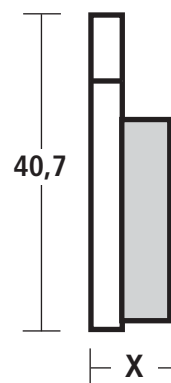
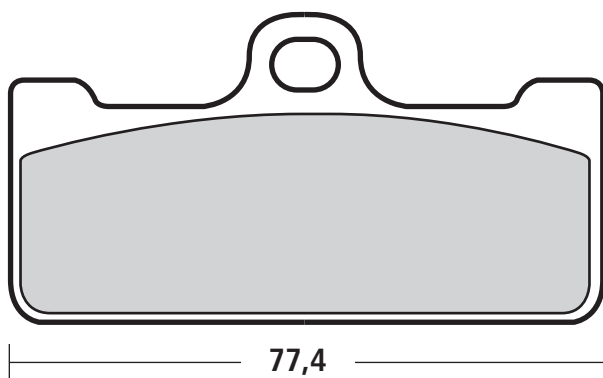
05454232

Bleeding screw / Vite spurgo

05281213

Technical Characteristics • Caratteristiche Tecniche

Pistons / Pistoni Ø	32 / 36 mm.
Construction Material / Materiale	CNC Aluminium / Alluminio CNC
Finishing / Finissaggio	Hard anodizing / Anodizzazione dura
Weight (without pads) / Massa (senza pastiglie)	659 gr.
Brake Fluid / Fluido freni	DOT 4
Hardware / Viteria	Steel / Acciaio
Pistons / Pistoni	Aluminium / Alluminio
Center to center / Interasse	108 mm.
Offset / Offset	22,5 mm.



Pads • Pastiglie

Code	Performance	Life
107684830	•	•
Z01 Th. = 8,4		
M028Z04	+	•
Z04 Th. = 8		

1

Radial CNC Caliper P4 32/36 Code XA3B830/31

Spare Parts • Ricambi

Spindle / Perno

20696410

Pin / Copiglia

05454221

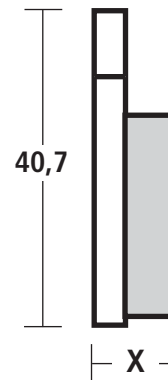
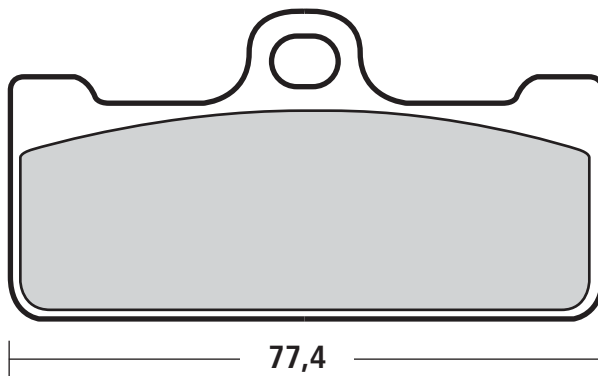
Bleeding screw / Vite spurgo

05281213



Technical Characteristics • Caratteristiche Tecniche

Pistons / Pistoni Ø	32 / 36 mm.
Construction Material / Materiale	CNC Aluminium / Alluminio CNC
Finishing / Finissaggio	Hard anodizing / Anodizzazione dura
Weight (without pads) / Massa (senza pastiglie)	600 gr.
Brake Fluid / Fluido freni	DOT 4
Hardware / Viteria	Titanium / Titanio
Pistons / Pistoni	Titanium / Titanio
Center to center / Interasse	108 mm.
Offset / Offset	22,5 mm.



Pads • Pastiglie

Code	Performance	Life
107684830	•	•
Z01 Th. = 8,4		
M028Z04	+	•
Z04 Th. = 8,0		

Radial CNC Caliper GP4 RX Code 220B01010



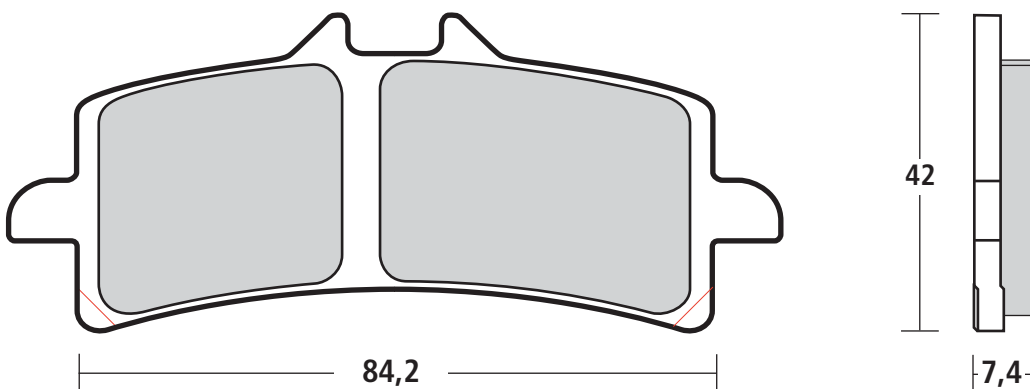
Spare Parts • Ricambi

Spring / Molletta
120225579

Bleeding screw / Vite spurgo
05281228

Technical Characteristics • Caratteristiche Tecniche

Pistons / Pistoni Ø	32 mm.
Construction Material / Materiale	CNC Aluminium / Alluminio CNC
Finishing / Finissaggio	Nichel coating / Nichelata
Weight (without pads) / Massa (senza pastiglie)	1000 gr.
Brake Fluid / Fluido freni	DOT 4
Hardware / Viteria	Steel / Acciaio
Pistons / Pistoni	Aluminium / Alluminio
Center to center / Interasse	108 mm.
Offset / Offset	22,5 mm.



Pads • Pastiglie

Code	Performance	Life
107988210	•	•
Genuine		
07BB3050	•	•
Genuine		

Pads • Pastiglie

Code	Performance	Life
07BB30RC	+	•
RC Compound		
M497Z04	++	+
Z04 Compound		

1
**Radial CNC
 Monobloc Caliper
 P4 32/36
 Code X973760/61**

Spare Parts • Ricambi

Spindle / Perno

X101708

Pin / Copiglia

0545221

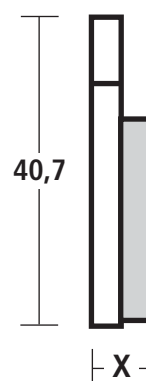
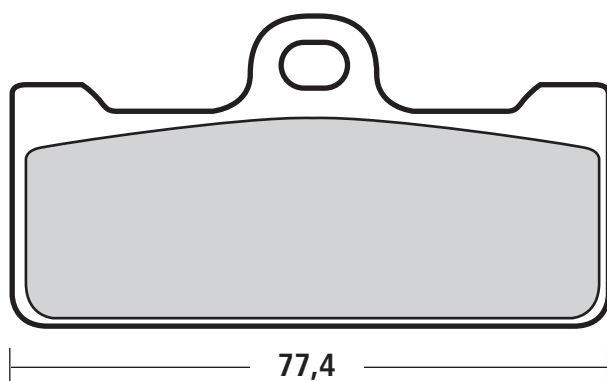
Bleeding screw / Vite spurgo

05281213



Technical Characteristics • Caratteristiche Tecniche

Pistons / Pistoni Ø	32 / 36 mm.
Construction Material / Materiale	CNC Aluminium / Alluminio CNC
Finishing / Finissaggio	Hard anodizing / Anodizzazione dura
Weight (without pads) / Massa (senza pastiglie)	649 gr.
Brake Fluid / Fluido freni	DOT 4
Hardware / Viteria	Titanium / Titanio
Pistons / Pistoni	Titanium / Titanio
Center to center / Interasse	108 mm.
Offset / Offset	22,5 mm.



Pads • Pastiglie

Code	Performance	Life
107684820	•	•
Z01 Th. = 8,35		
M029Z04	+	•
Z04 Th. = 8		

Radial Endurance CNC Monobloc Caliper P4 32/36 Code X973780/81

Spare Parts • Ricambi

Spindle / Perno
X101708

Pin / Copiglia
05454221

Bleeding screw / Vite spurgo
05281213

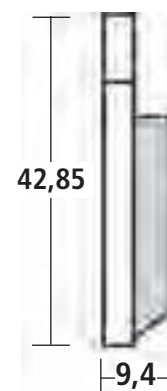
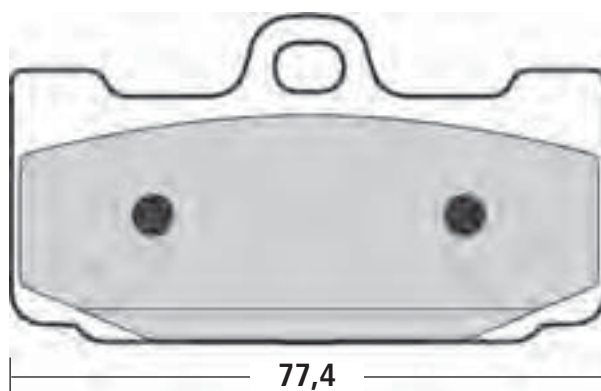


Technical Characteristics • Caratteristiche Tecniche

Pistons / Pistoni Ø	32 / 36 mm.
Construction Material / Materiale	CNC Aluminium / Alluminio CNC
Finishing / Finissaggio	Hard anodizing / Anodizzazione dura
Weight (without pads) / Massa (senza pastiglie)	758 gr.
Brake Fluid / Fluido freni	DOT 4
Hardware / Viteria	Titanium / Titanio
Pistons / Pistoni	Titanium / Titanio
Center to center / Interasse	108 mm.
Offset / Offset	22,5 mm.

Caliper specific for Endurance races, equipped with particular pistons radiators and plates for brake pad retain during the quick wheel changes.

Pinza specifica per gare Endurance, dispone di particolari radiatori pistoni e di piastri per il ritegno delle pastiglie durante i cambi ruota.



Pads • Pastiglie

Code	Performance	Life
107684612	•	•
Z03		

1

**Monobloc CNC
Radial Caliper
YAMAHA 2007/2010
Code XA8Y310/11**

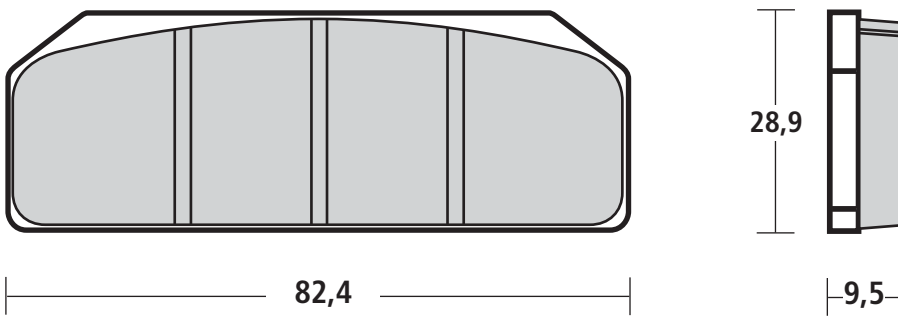
Spare Parts • Ricambi

Bleeding screw / Vite spurgo
105281221



Technical Characteristics • Caratteristiche Tecniche

<i>Pistons / Pistoni Ø</i>	34 / 38 mm.
<i>Construction Material / Materiale</i>	CNC Aluminium / Alluminio CNC
<i>Finishing / Finissaggio</i>	Hard anodizing / Anodizzazione dura
<i>Weight (without pads) / Massa (senza pastiglie)</i>	840 gr.
<i>Brake Fluid / Fluido freni</i>	DOT 4
<i>Hardware / Viteria</i>	Titanium / Titanio
<i>Pistons / Pistoni</i>	Titanium / Titanio
<i>Center to center / Interasse</i>	As original / Come originale
<i>Offset / Offset</i>	As original / Come originale



Pads • Pastiglie

Code	Performance	Life
07835424	•	•
Z04		

**100 mm CNC Monobloc
Radial Caliper P4 32/36**
Code XA7G240/41 (nickel coating)
Code XA7G210/11 (hard anodized)

1



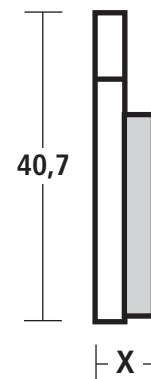
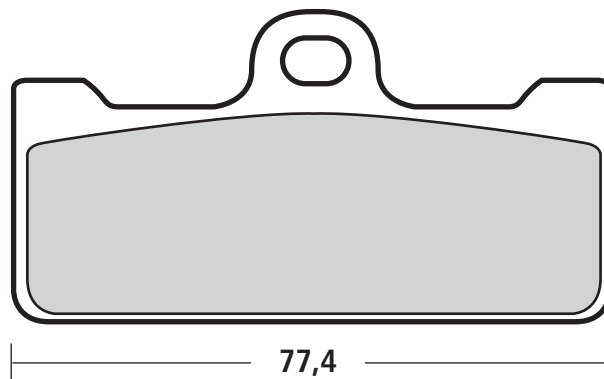
Spare Parts • Ricambi

Bleeding screw cover /
Cappuccio vite spurgo
05150220

Bleeding screw / Vite spurgo
05281221

Technical Characteristics • Caratteristiche Tecniche

Pistons / Pistoni Ø	32 / 36 mm.
Construction Material / Materiale	CNC Aluminium / Alluminio CNC
Finishing / Finissaggio	Hard anod. - Nick. coat. / Anod. dura - Nichelata
Weight (with pads) / Massa (con pastiglie)	920 gr.
Brake Fluid / Fluido freni	DOT 4
Hardware / Viteria	Titanium / Titanio
Pistons / Pistoni	Titanium / Titanio
Center to center / Interasse	100 mm.
Offset / Offset	30 mm.



Pads • Pastiglie

Code	Performance	Life
107684820 Z01 Th = 8,35	•	•
M028Z04 Z04 Th = 8	+	•

1

Radial CNC Monobloc Caliper P4 34 Code X99C460/61

Spare Parts • Ricambi

Spindle / Perno
X99C403

Pin / Copiglia
05454217

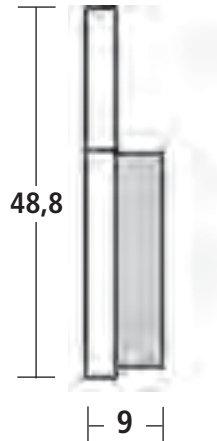
Spring / Molletta
X99C416

Bleeding screw / Vite spurgo
05281213



Technical Characteristics • Caratteristiche Tecniche

Pistons / Pistoni Ø	34 mm.
Construction Material / Materiale	CNC Aluminium / Alluminio CNC
Finishing / Finissaggio	Hard anodizing / Anodizzazione dura
Weight (without pads) / Massa (senza pastiglie)	660 gr.
Brake Fluid / Fluido freni	DOT 4
Hardware / Viteria	Titanium / Titanio
Pistons / Pistoni	Titanium / Titanio
Center to center / Interasse	108 mm.
Offset / Offset	22,5 mm.



Pads • Pastiglie

Code	Performance	Life
M049Z04	•	•
Z04		

Radial CNC Monobloc Caliper GP4 RR Code XA93310/11

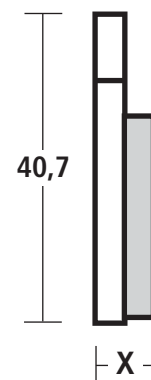
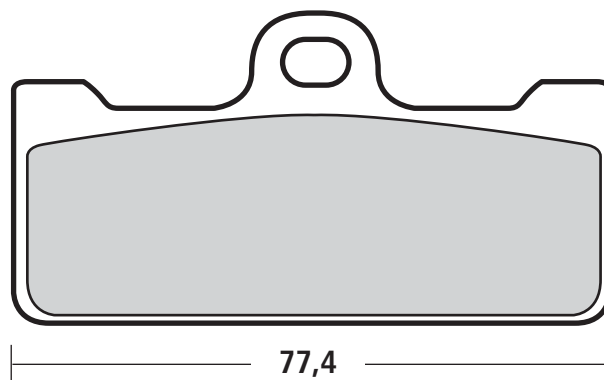
Spare Parts • Ricambi

Bleeding screw / Vite spurgo
05281233



Technical Characteristics • Caratteristiche Tecniche

<i>Pistons / Pistoni Ø</i>	32 / 36 mm.
<i>Construction Material / Materiale</i>	CNC Aluminium / Alluminio CNC
<i>Finishing / Finissaggio</i>	Nichel coating / Nichelata
<i>Weight (without pads) / Massa (senza pastiglie)</i>	578 gr.
<i>Brake Fluid / Fluido freni</i>	DOT 4
<i>Hardware / Viteria</i>	Titanium / Titanio
<i>Pistons / Pistoni</i>	Titanium / Titanio
<i>Center to center / Interasse</i>	108 mm.
<i>Offset / Offset</i>	22,5 mm.



Pads • Pastiglie

Code	Performance	Life
107684820 Z01 Th = 8,35	•	•
M028Z04 Z04 Th = 8	+	•

1

Monobloc CNC Caliper P4 32/36 Code X101740/41

Spare Parts • Ricambi

Spindle / Perno
X101708

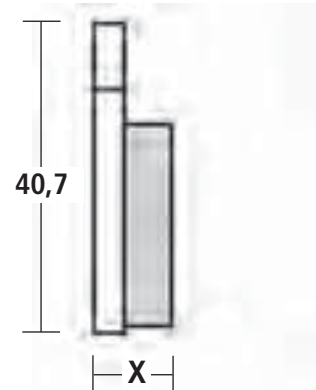
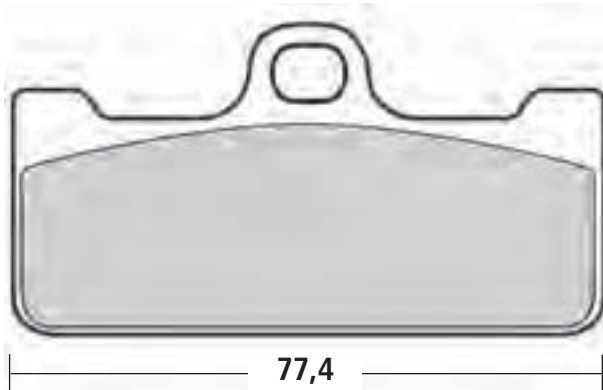
Pin / Copiglia
05454221

Bleeding screw / Vite spurgo
X101739



Technical Characteristics • Caratteristiche Tecniche

Pistons / Pistoni Ø	32 / 36 mm.
Construction Material / Materiale	CNC Aluminium / Alluminio CNC
Finishing / Finissaggio	Hard anodizing / Anodizzazione dura
Weight (without pads) / Massa (senza pastiglie)	660 gr.
Brake Fluid / Fluido freni	DOT 4
Hardware / Viteria	Titanium / Titanio
Pistons / Pistoni	Titanium / Titanio
Center to center / Interasse	40 mm.
Offset / Offset	26,5 mm.



Pads • Pastiglie

Code	Performance	Life
107684820 Z01 Th = 8,35	•	•
M028Z04 Z04 Th = 8	+	•

SuperSport CNC Rear Caliper P2 34 Code 120A44110



Spare Parts • Ricambi

Spindle / Perno
120A44170

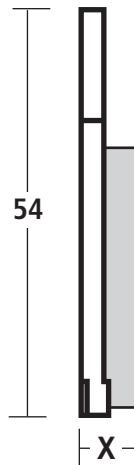
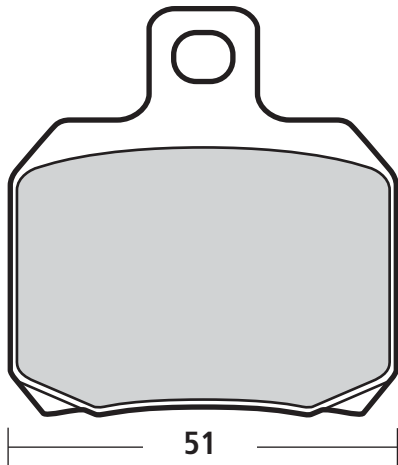
Bleeding screw / Vite spurgo
105338752

Technical Characteristics • Caratteristiche Tecniche

Pistons / Pistoni Ø	34 mm.
Construction Material / Materiale	CNC Aluminium / Alluminio CNC
Finishing / Finissaggio	Hard anodizing / Anodizzazione dura
Weight (with pads) / Massa (con pastiglie)	581 gr.
Brake Fluid / Fluido freni	DOT 4
Hardware / Viteria	Steel / Acciaio
Pistons / Pistoni	Aluminium / Alluminio
Center to center / Interasse	84 mm.
Offset / Offset	10 mm.

With specific support for Supersport Motorcycle.
Pinza specifica completa di supporto.

120A44111 (Honda CBR 1000 '08) Marchesini Wheels only
120A44112 (Suzuki GSXR 1000 '07/'09)
120A44113 (Kawasaki ZX10R '08) Marchesini Wheels only
120A44114 (Yamaha R1 '06/'09)



Pads • Pastiglie

Code	Performance	Life
07BB2010	•	•
07BB2050	+	•
Sintered		

1

Rear CNC Caliper P2 24 Code 206001

Spare Parts • Ricambi

Spring / Molletta
X206007

Bleeding screw / Vite spurgo
X101739

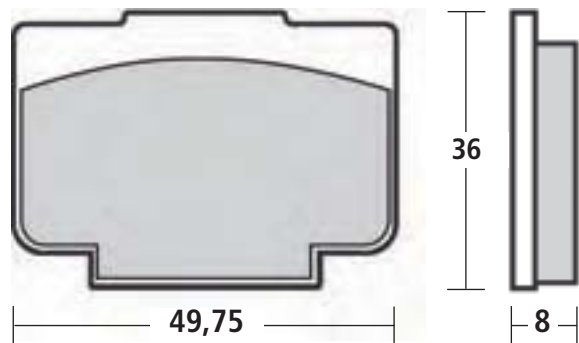
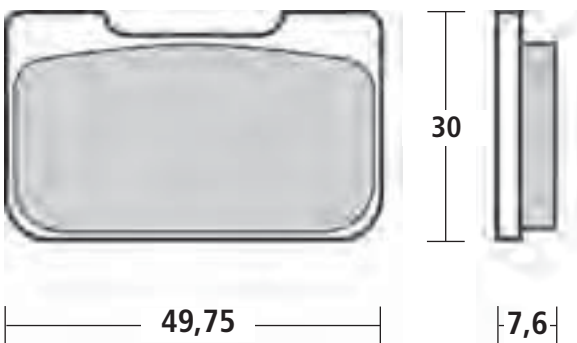


Technical Characteristics • Caratteristiche Tecniche

Pistons / Pistoni Ø	24 mm.
Construction Material / Materiale	CNC Aluminium / Alluminio CNC
Finishing / Finissaggio	Hard anodizing / Anodizzazione dura
Weight (with pads) / Massa (con pastiglie)	198 gr.
Brake Fluid / Fluido freni	DOT 4
Hardware / Viteria	Titanium / Titanio
Pistons / Pistoni	Titanium / Titanio
Center to center / Interasse	64 mm.
Offset / Offset	16,5 mm.

To be used with 24 mm. rotor brake disc height.
Pastiglia da utilizzare con fascia frenante h = 24 mm.

To be used with 30 mm. rotor brake disc height.
Pastiglia da utilizzare con fascia frenante h = 30 mm.



Pads • Pastiglie

Code	Performance	Life
07934090	•	•
206022	++	+
Sintered		

Rear CNC Caliper P4 24 Code 206101



Spare Parts • Ricambi

Spring / Molletta
X206007

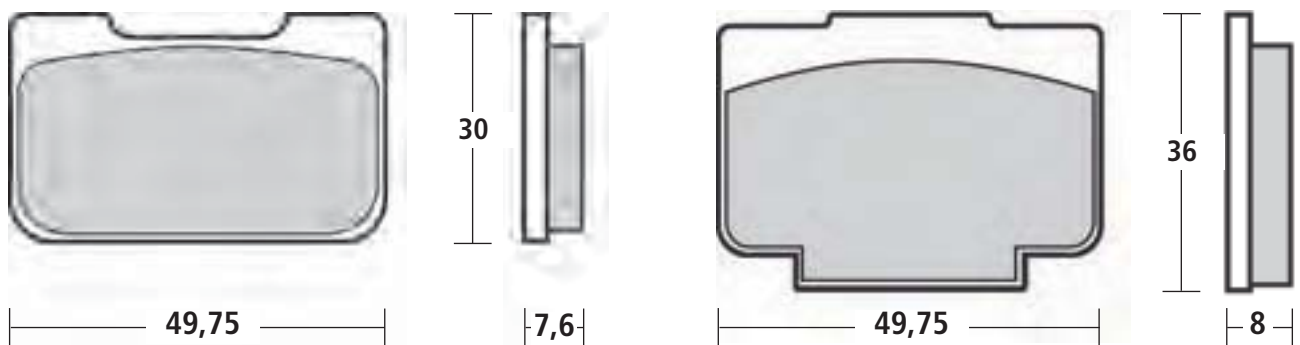
Bleeding screw / Vite spurgo
X101739

Technical Characteristics • Caratteristiche Tecniche

Pistons / Pistoni Ø	24 mm.
Construction Material / Materiale	CNC Aluminium / Alluminio CNC
Finishing / Finissaggio	Hard anodizing / Anodizzazione dura
Weight (with pads) / Massa (con pastiglie)	262 gr.
Brake Fluid / Fluido freni	DOT 4
Hardware / Viteria	Titanium / Titanio
Pistons / Pistoni	Titanium / Titanio
Center to center / Interasse	64 mm.
Offset / Offset	16,5 mm.

To be used with 24 mm. rotor brake disc height.
Pastiglia da utilizzare con fascia frenante h = 24 mm.

To be used with 30 mm. rotor brake disc height.
Pastiglia da utilizzare con fascia frenante h = 30 mm.



Pads • Pastiglie

Code	Performance	Life
07934020	•	•
X988831	+	•
Sintered		
X988822	++	•
Sintered		

Pads • Pastiglie

Code	Performance	Life
07934010	•	•
X988802	++	+
Sintered		

1

Rear CNC Caliper P4 24 (for rear ventilated disc) Code 206121



Spare Parts • Ricambi

Spring / Molletta
X206007

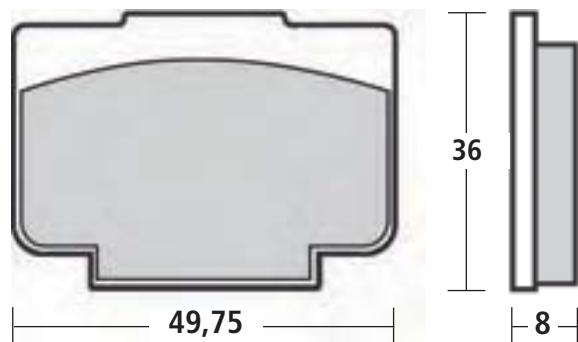
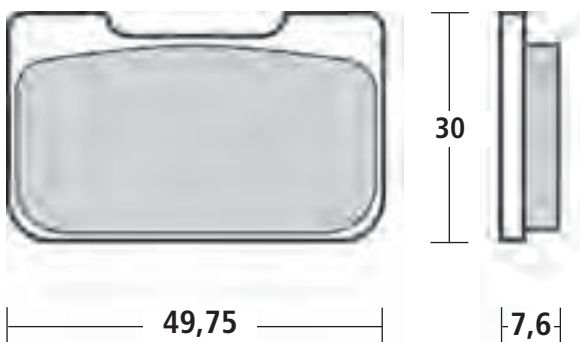
Bleeding screw / Vite spurgo
X101739

Technical Characteristics • Caratteristiche Tecniche

Pistons / Pistoni Ø	24 mm.
Construction Material / Materiale	CNC Aluminium / Alluminio CNC
Finishing / Finissaggio	Hard anodizing / Anodizzazione dura
Weight (with pads) / Massa (con pastiglie)	262 gr.
Brake Fluid / Fluido freni	DOT 4
Hardware / Viteria	Titanium / Titanio
Pistons / Pistoni	Titanium / Titanio
Center to center / Interasse	64 mm.
Offset / Offset	18,5 mm.

To be used with 24 mm. rotor brake disc height.
Pastiglia da utilizzare con fascia frenante h = 24 mm.

To be used with 30 mm. rotor brake disc height.
Pastiglia da utilizzare con fascia frenante h = 30 mm.



Pads • Pastiglie

Code	Performance	Life
07934020	•	•
X988831	+	•
Sintered		
X988822	++	•
Sintered		

Pads • Pastiglie

Code	Performance	Life
07934010	•	•
X988832	++	•
Sintered		

Rear CNC Caliper P2 34 Code X988870



Spare Parts • Ricambi

Spindle / Perno
X988815

Spring / Molletta
X988818

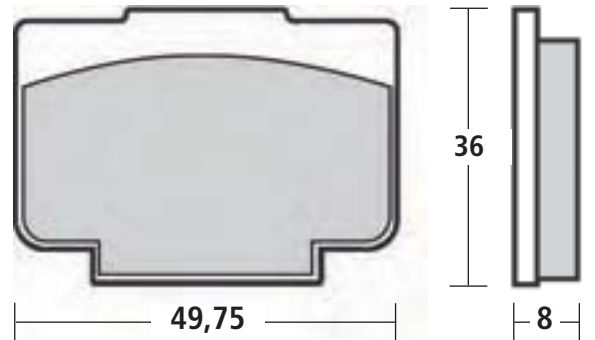
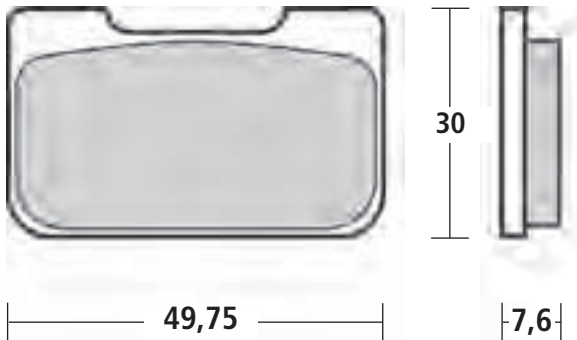
Bleeding screw / Vite spurgo
X101739

Technical Characteristics • Caratteristiche Tecniche

Pistons / Pistoni Ø	34 mm.
Construction Material / Materiale	CNC Aluminium / Alluminio CNC
Finishing / Finissaggio	Hard anodizing / Anodizzazione dura
Weight (with pads) / Massa (con pastiglie)	394 gr.
Brake Fluid / Fluido freni	DOT 4
Hardware / Viteria	Titanium / Titanio
Pistons / Pistoni	Titanium / Titanio
Center to center / Interasse	64 mm.
Offset / Offset	16,5 mm.

To be used with 24 mm. rotor brake disc height.
Pastiglia da utilizzare con fascia frenante h = 24 mm.

To be used with 30 mm. rotor brake disc height.
Pastiglia da utilizzare con fascia frenante h = 30 mm.



Pads • Pastiglie

Code	Performance	Life
07934020	•	•
X988831	+	•
Sintered		
X988822	++	•
Sintered		

Pads • Pastiglie

Code	Performance	Life
07934010	•	•
X988802	++	•
Sintered		

1

Rear CNC Caliper P2 30 Code XA1J040

Spare Parts • Ricambi

Spindle / Perno

XA1J009

Pin / Copiglia

05454217

Spring / Molletta

XA1J046

Bleeding screw / Vite spurgo

101739

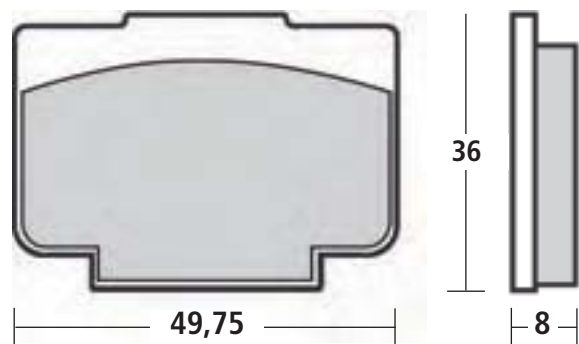
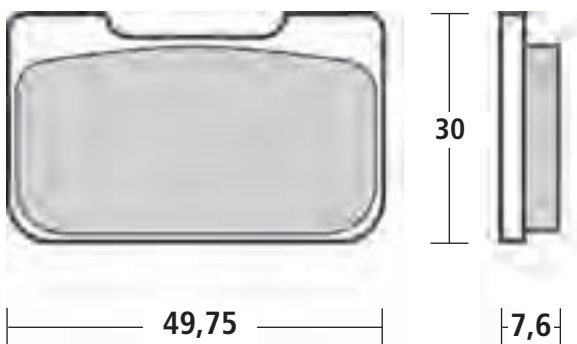


Technical Characteristics • Caratteristiche Tecniche

Pistons / Pistoni Ø	30 mm.
Construction Material / Materiale	CNC Aluminium / Alluminio CNC
Finishing / Finissaggio	Hard anodizing / Anodizzazione dura
Weight (with pads) / Massa (con pastiglie)	348 gr.
Brake Fluid / Fluido freni	DOT 4
Hardware / Viteria	Titanium / Titanio
Pistons / Pistoni	Titanium / Titanio
Center to center / Interasse	64 mm.
Offset / Offset	16,5 mm.

To be used with 24 mm. rotor brake disc height.
Pastiglia da utilizzare con fascia frenante h = 24 mm.

To be used with 30 mm. rotor brake disc height.
Pastiglia da utilizzare con fascia frenante h = 30 mm.



Pads • Pastiglie

Code	Performance	Life
07934020	•	•
X988831	+	•
Sintered		
X988822	++	•
Sintered		

Pads • Pastiglie

Code	Performance	Life
07934010	•	•
X988802	++	•
Sintered		