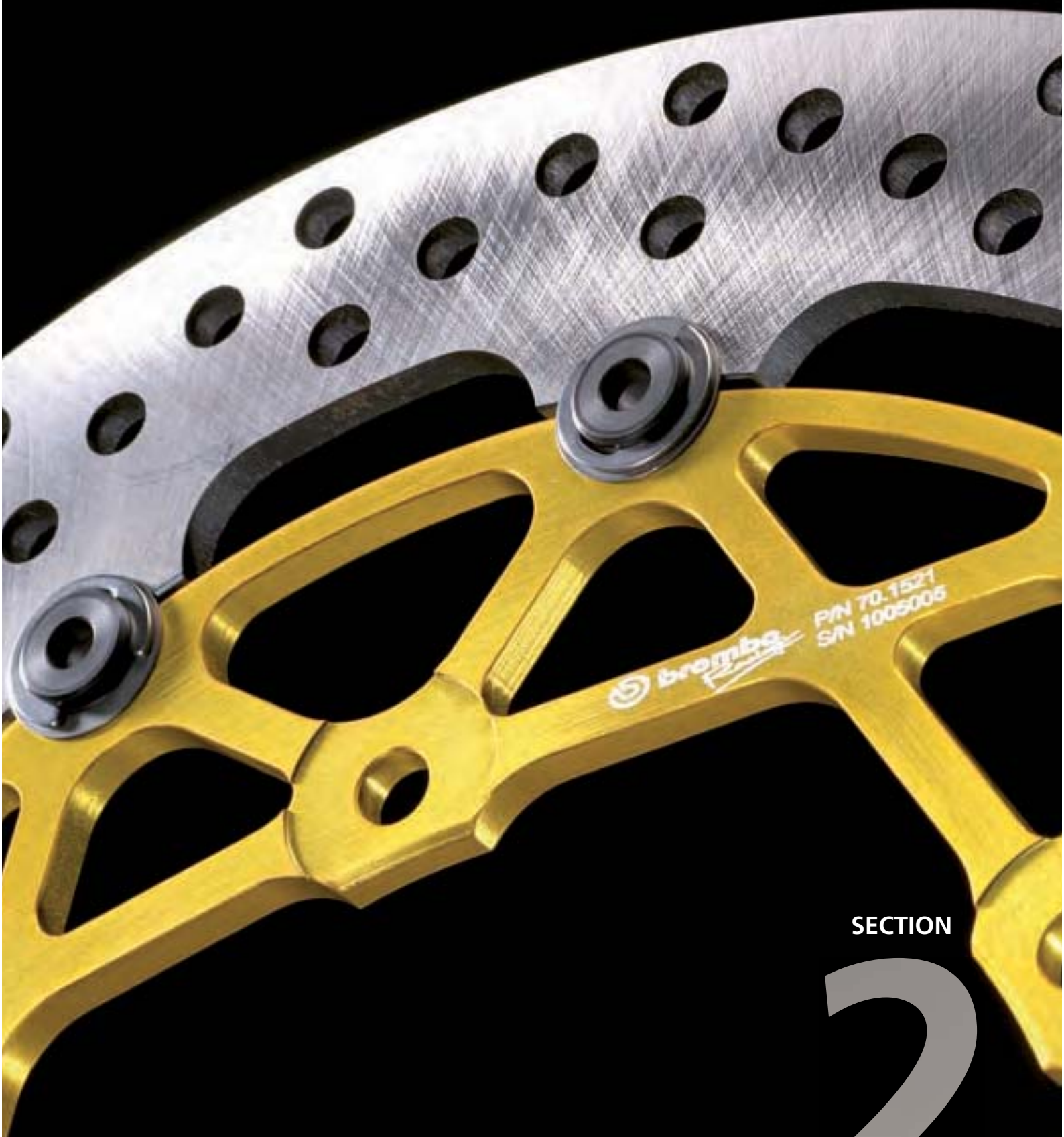


Motard



brembo
P/N 70.1521
S/N 1005005

SECTION

2

Motard Radial Master Cylinder



Technical Characteristics • Caratteristiche Tecniche

15 RCS for single disc only and short lever	110A26320
16x18 for single disc only	10476080
16x18 for single disc only and short lever	10476082
16x16 CNC for single disc only	XR01130
16x16 CNC for single disc only and short lever	XR011B0

Spare Parts • Ricambi

Std lever with axis 18 / Leva std per interasse 18 10459461	Forged Clamp / Cavallotto forgiato 10281581
Half lever for 15 RCS / Mezza leva per 15 RCS 11026396	CNC Clamp / Cavallotto CNC 10281580
Half lever long (XR MIC) / Mezza leva lunga (pompe XR) X98A7E1	Lever pivot / Perno leva 10459240
Half lever short (XR MIC) / Mezza leva corta (pompe XR) X98A7E2	Lever adj. barrel / Cilindro regolazione leva 10511010
Lever guide for XR MIC / Guida leva per pompe XR 110726437	Lever pin clip / Clip ritegno perno leva A6500960
Short lever with axis 18 / Leva corta per interasse 18 10726432	Stop pin / Spina elastica A51101046
Short lever with axis 16 / Leva corta per interasse 16 10726433	Lever adj. knob / Regolazione leva 10510710
Pushrod kit (for forged MICylinder only) / Kit Puntalino (solo per pompe forgiate) 110426660	

Radial Caliper P4 32/36

Code XA3B860/61

(Steel hardware/alu pistons)

Code XA3B830/31

(Titanium hardware and pistons)

Spare Parts • Ricambi

Spindle / Perno

20696450 (for 60/61) 20696410 (for 30/31)

Pin / Copiglia

05454232 (for 60/61) 05454221 (for 30/31)

Bleeding screw / Vite spurgo

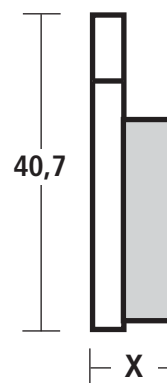
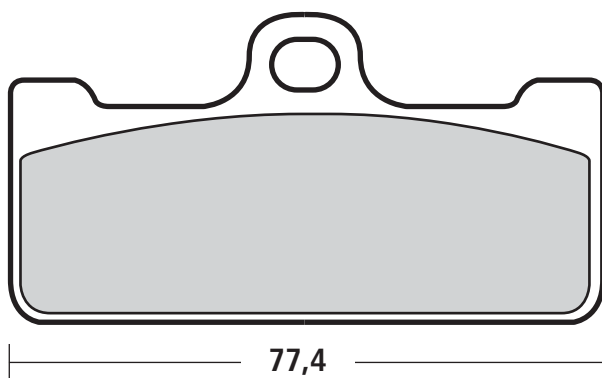
05281213



2

Technical Characteristics • Caratteristiche Tecniche

<i>Pistons / Pistoni Ø</i>	32 / 36 mm.
<i>Construction Material / Materiale</i>	CNC Aluminium / Alluminio CNC
<i>Finishing / Finissaggio</i>	Hard anodizing / Anodizzazione dura
<i>Weight (without pads) / Massa (senza pastiglie)</i>	659 gr.
<i>Brake Fluid / Fluido freni</i>	DOT 4
<i>Hardware / Viteria</i>	Steel / Acciaio - Titanium / Titanio
<i>Pistons / Pistoni</i>	Aluminium / Alluminio - Titanium / Titanio
<i>Center to center / Interasse</i>	108 mm.
<i>Offset / Offset</i>	22,5 mm.



Pads • Pastiglie

Code	Performance	Life
107684830	•	•
Z01 Th. = 8,4		
M028Z04	+	•
Z04 Th. = 8		

108 mm Motard Radial Caliper P4 30/34 Code XA69510



Spare Parts • Ricambi

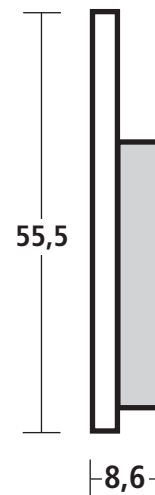
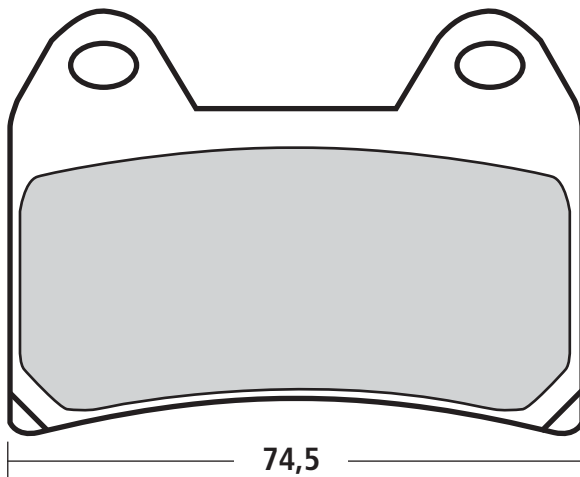
Spindle / Perno
20394230

Pin / Copiglia
05454217

Bleeding screw / Vite spurgo
05281228

Technical Characteristics • Caratteristiche Tecniche

Pistons / Pistoni Ø	30 / 34 mm.
Construction Material / Materiale	CNC Aluminium / Alluminio CNC
Finishing / Finissaggio	Hard anodizing / Anodizzazione dura
Weight / Massa	610 gr.
Brake Fluid / Fluido freni	DOT 4
Hardware / Viteria	Steel / Acciaio
Pistons / Pistoni	Aluminium / Alluminio
Center to center / Interasse	108 mm.
Offset / Offset	22,5 mm.



Pads • Pastiglie

Code	Performance	Life
107670821	•	•
Genuine		
07BB1950	•	•
Genuine		

Pads • Pastiglie

Code	Performance	Life
07BB19RC	+	•
RC Compound		
107670823	++	•
Z04 Compound		

100 mm Motard Radial Caliper P4 30/34 Code XA78910



2

Spare Parts • Ricambi

Spindle / Perno

20394230

Spring / Molletta

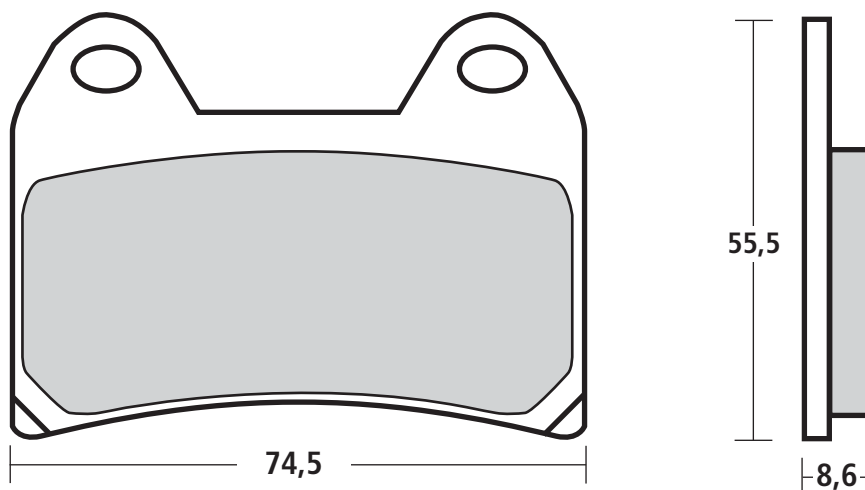
05454217

Bleeding screw / Vite spurgo

05281228

Technical Characteristics • Caratteristiche Tecniche

Pistons / Pistoni Ø	30 / 34 mm.
Construction Material / Materiale	CNC Aluminium / Alluminio CNC
Finishing / Finissaggio	Hard anodizing / Anodizzazione dura
Weight / Massa	710 gr.
Brake Fluid / Fluido freni	DOT 4
Hardware / Viteria	Steel / Acciaio
Pistons / Pistoni	Aluminium / Alluminio
Center to center / Interasse	100 mm.
Offset / Offset	30 mm .



Pads • Pastiglie

Code	Performance	Life
107670821	•	•
Genuine		
07BB1950	•	•
Genuine		

Pads • Pastiglie

Code	Performance	Life
07BB19RC	+	•
RC Compound		
107670823	++	•
Z04 Compound		

Motard Axial Caliper P4 34 Code XA32950

Spare Parts • Ricambi

Spindle / Perno

22484956

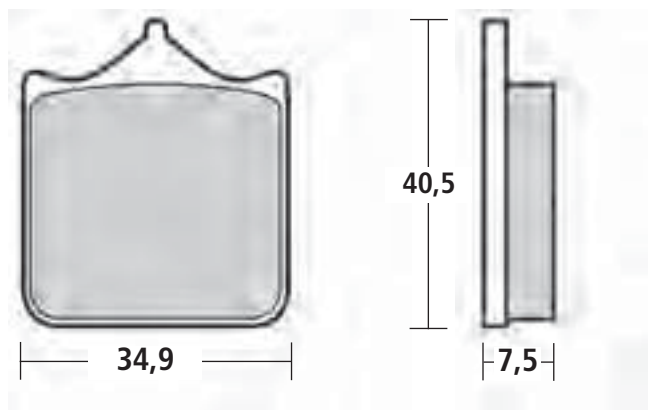
Bleeding screw / Vite spurgo

05281552



Technical Characteristics • Caratteristiche Tecniche

Pistons / Pistoni Ø	34 mm.
Construction Material / Materiale	Casting Aluminium / Alluminio fuso
Finishing / Finissaggio	Black anodizing / Anodizzazione nera
Weight / Massa	748 gr.
Brake Fluid / Fluido freni	DOT 4
Hardware / Viteria	Steel / Acciaio
Pistons / Pistoni	Aluminium / Alluminio
Center to center / Interasse	65 mm.
Offset / Offset	32 mm.



Pads • Pastiglie

Code	Performance	Life
07BB0510 Z01	•	•
07BB05RC RC	+	•
M478Z04 Z04	++	•

Motard Disc



Technical Characteristics • Caratteristiche Tecniche

<i>Mounting - off-set / Fissaggio - off-set</i>	<i>As original / Come originale</i>
<i>Rotor height / Altezza fascia</i>	34 mm.
<i>Rotor thickness / Spessore fascia</i>	5,5 mm.
<i>Rotor material / Materiale fascia</i>	<i>Stainless steel / Acciaio inox</i>
<i>Bell material / Materiale campana</i>	<i>Aluminium alloy / Lega alluminio</i>
<i>Bushing number / n° nottolini</i>	10

Motard disc application list

Model	Year		Disc ø	Code
	From	To		
APRILIA				
SXV 450	'05	'09	320	108.A642.15
SXV 550	'05	'09	320	108.A642.15
HONDA				
CR 125	'02	'09	320	108.A642.11
CR - R 125	'02	'09	320	108.A642.11
CR 250	'02	'09	320	108.A642.11
CRF 250	'02	'09	320	108.A642.11
CRF 250X	'02	'09	320	108.A642.11
CRF 450	'02	'09	320	108.A642.11
CRF 450X	'02	'09	320	108.A642.11
KTM				
EXC 125	'98	'08	320	108.A642.12
SX SXS 125	'00	'08	320	108.A642.12
SX 144	'07	'08	320	108.A642.12
EXC 200	'98	'09	320	108.A642.12
SX 200	'03	'08	320	108.A642.12
EXC - EXC F - EXC G 250	'04	'09	320	108.A642.12
SX - SX F - SXS 250	'03	'08	320	108.A642.12
EXC - SX 300	'00	'03	320	108.A642.12
EXC G 450	'03	'09	320	108.A642.12
EXC R 450	'08	'09	320	108.A642.12
SMR 450	'04	'08	320	108.A642.12
SXS - SXS F 450	'03	'08	320	108.A642.12
SMS 525	'04	'05	320	108.A642.12
EXC-G 525	'03	'08	320	108.A642.12
SMR 525	'04	'05	320	108.A642.12
XC - XCG - XCW 525	'06	'08	320	108.A642.12
SXS 540	'01	'06	320	108.A642.12
LC4 SC SUPERM. 620	'00	'04	320	108.A642.12
SMC 625	'05	'08	320	108.A642.12
SXC 625	'03	'08	320	108.A642.12
LC4 SUPERM. 625	'02	'04	320	108.A642.12
LC4 SUPERM. 640	'99	'07	320	108.A642.12
SMC 660	'03	'07	320	108.A642.12
SUPERMOTO 690 (not version "R")	'07	'09	320	108.A642.12

Model	Year		Disc ø	Code
	From	To		
HUSABERG				
FE 400	'00	'03	320	108.A642.12
FE E 400	'01	'03	320	108.A642.12
FS C - FS E 400	'01	'03	320	108.A642.12
FE E 501	'99	'04	320	108.A642.12
FC 550	'01	'05	320	108.A642.12
FE E 550	'04	'05	320	108.A642.12
FE E	'99	'03	320	108.A642.12
SUPERM. 600				
FE E 650	'01	'05	320	108.A642.12
FS E -C 650	'01	'08	320	108.A642.12
FX E 650	'01	'05	320	108.A642.12
HUSQVARNA				
SMR 450	'03	'04	320	108.A642.16
SMR RR 450	'06	'08	320	108.A642.16
SMR 570	'00	'04	320	108.A642.16
SMR 510	'05	'08	320	108.A642.16
TC - TE 570	'00	'04	320	108.A642.16
SM 610	'05	'06	320	108.A642.16
SMS 610	'00	'04	320	108.A642.16
SMS ie 610	'07	'08	320	108.A642.16
TE - TC 610	'00	'04	320	108.A642.16
SMR 630	'03	'04	320	108.A642.16
KAWASAKI				
KX 125	'06	'08	320	108.A642.17
KX 250	'06	'08	320	108.A642.17
KL2 450	'07	'09	320	108.A642.17
KXF 250	'06	'09	320	108.A642.17
KLX R 450	'07	'09	320	108.A642.17
KXF 450	'06	'09	320	108.A642.17
SUZUKI				
RMZ 250	'04	'09	320	108.A642.14
RMZ 450	'04	'09	320	108.A642.14
YAMAHA				
YZF 400	'98	'00	320	108.A642.18
YZF 426	'00	'02	320	108.A642.18
YZF 450	'03	'07	320	108.A642.18