



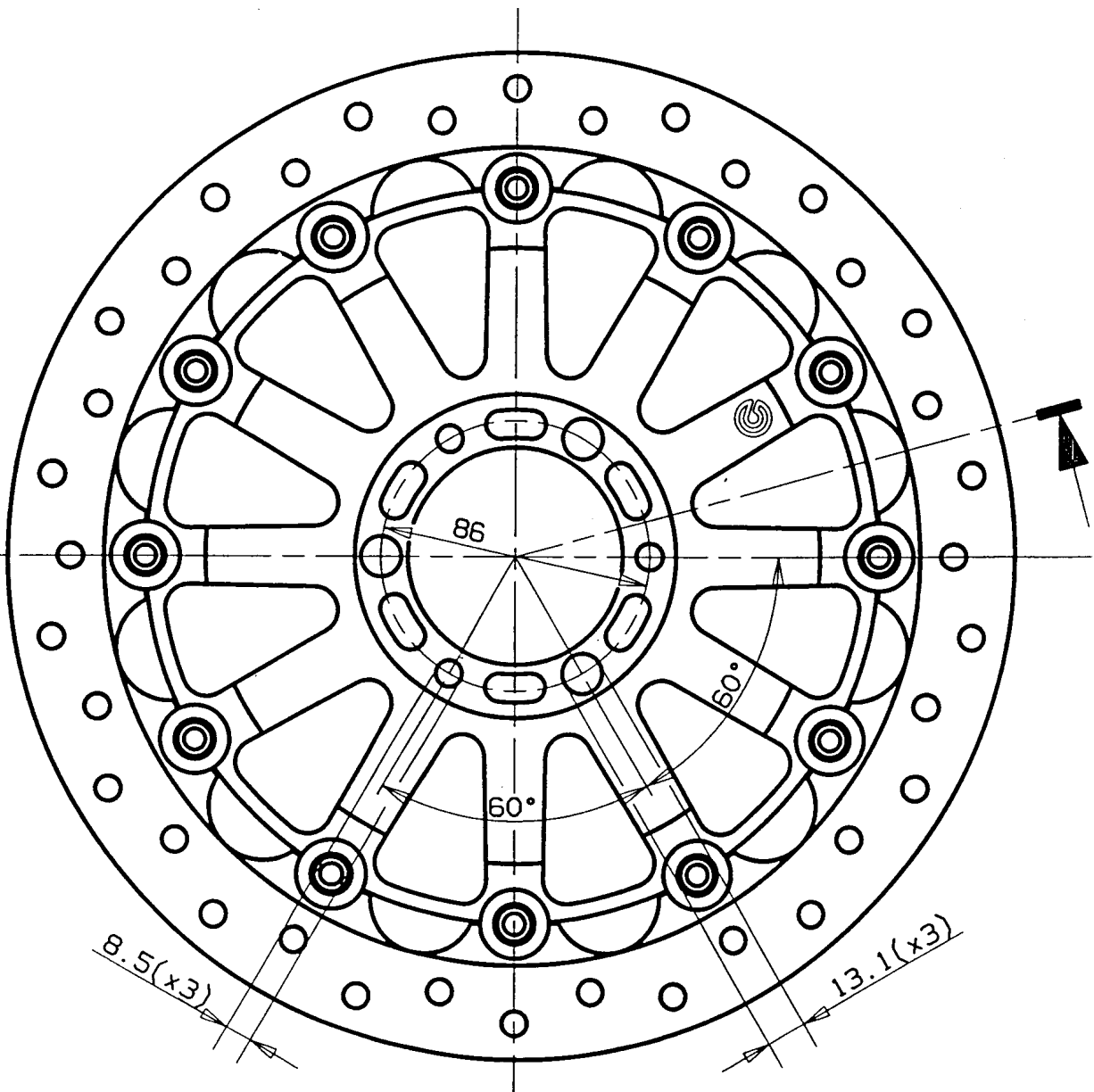
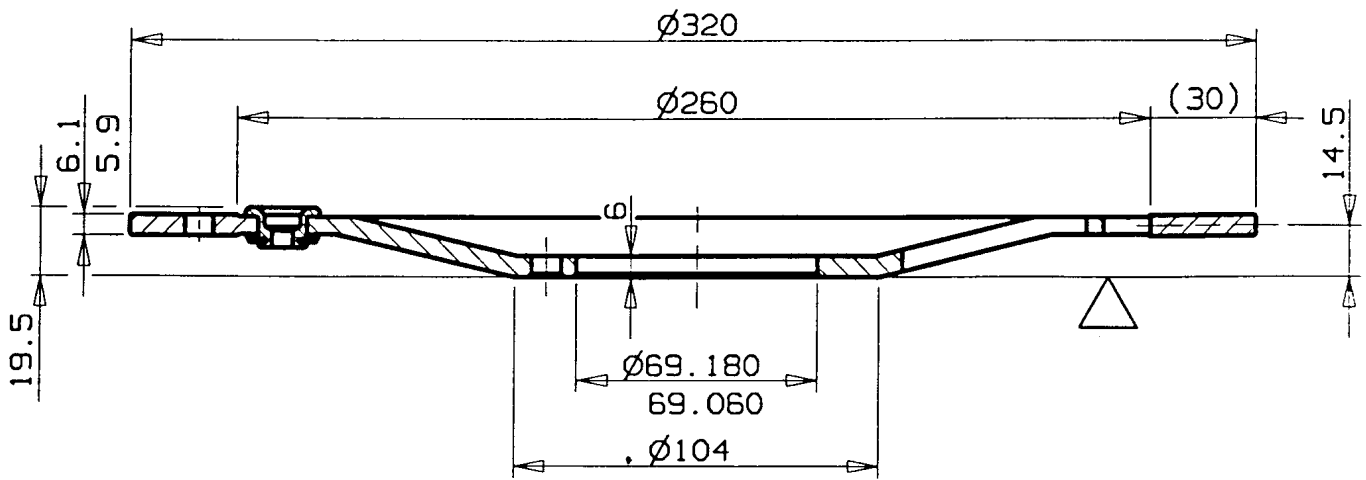
BRAKE DISC

DP320x6

R 08.6703.55

date 28.02.96

APPLICATIONS: YAMAHA.



MATERIAL: Stainless steel

MIN TH : 5.5 mm

MOUNTING SURFACE

WRIGHT : Ka